



# Z712-HDG

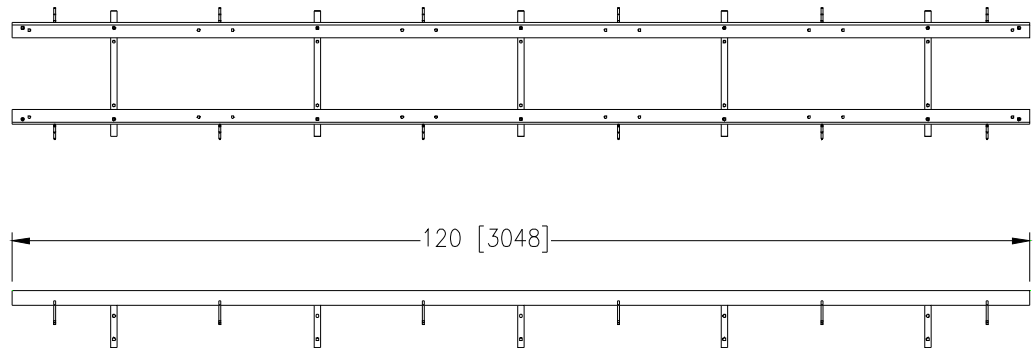
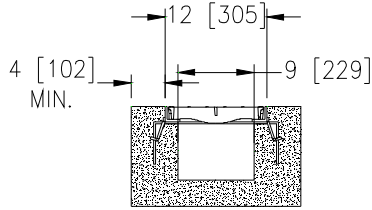
SPECIFICATION SHEET

## 12 [305] WIDE REVEAL FRAME AND GRATE SYSTEM WITH GALVANIZED STEEL FRAME

TAG \_\_\_\_\_

Dimensional Data (inches and [ mm ]) are Subject to Manufacturing Tolerances and Change Without Notice

SPECIFYING ENGINEER IS RESPONSIBLE FOR CONCRETE ENCASEMENT AND REINFORCING BASED UPON APPLICATION AND LOCAL CODES



**ENGINEERING SPECIFICATION:** Zurn Z712-HDG Frame and Grate System shall be 120[3048] long, 12 [305] wide reveal and have a 8.5 [216] clear opening. Shall mechanically lock into the concrete surround every 12 [305]. Shall be provided with the standard GDC grate that locks down to the frame. Zurn 12 [305] wide reveal Galvanized Ductile Iron Slotted Grate. Ductile Iron conforms to ASTM specification A536-84, Grade 80-55-06. Galvanized Ductile Iron grate is rated class C per the DIN EN1433 top load classifications. Supplied in 24 [608] nominal lengths with 0.81[21] wide slots, and 1.5 [38] bearing depth. Grate has an open area of 57.50 sq. in per ft.[121708 sq. mm per meter]. The 0.25 [6] thick Galvanized Carbon Steel Frame Assembly conforms to ASTM specification A36 and Galvanizing conforms to ASTM specification A123 with 12 - 4 [102] long concrete anchors per 120 [3048]. Grate lockdown bars are integral to the frame. All welds must be performed by a certified welder per ASTM standard AWS D1.1. Frames Shall be produced in the USA.

**PREFIX OPTIONS (Check/specify appropriate options)**

Z Ten-foot Heavy Duty Galvanized Steel Frame \*

**SUFFIX OPTIONS (Check/specify appropriate options)**

**Grate Options (Load Classifications are per DIN EN1433)**

- DC Ductile Iron Solid Cover - Class C
- DGC Ductile Iron Slotted Grate - Class C
- DGE Ductile Iron Slotted Grate - Class E
- DGF Ductile Iron Slotted Grate - Class F
- GDC Galvanized Ductile Slotted Grate - Class C \*
- GDE Galvanized Ductile Slotted Grate - Class E
- GDF Galvanized Ductile Slotted Grate - Class F
- GHPDE Galvanized Heel-Proof Ductile Slotted Grate - Class E
- HPD Heel-Proof Ductile Slotted Grate - Class C
- HPDE Heel-Proof Ductile Slotted Grate - Class E

**Miscellaneous Options**

- RC Rebar Clip (Set of 2)
- VP Vandal-Proof Lockdown

**MADE in the U.S.A.**

- ADA-USA Meets Americans with Disabilities Act Requirements - Class C
- BG Galvanized Steel Bar Grate - Class D
- DGC-USA Ductile Iron Slotted Grate - Class C
- DGE-USA Ductile Iron Slotted Grate - Class E
- FG Fabricated Galvanized Steel Slotted Grate - Class A
- GADA-USA Galvanized Ductile ADA Slotted Grate - Class C
- GDC-USA Galvanized Ductile Slotted Grate - Class C
- GDE-USA Galvanized Ductile Slotted Grate - Class E
- PG Perforated Galvanized Steel Grate - Class A
- RFG Reinforced Galvanized Slotted Grate - Class B
- RPG Reinforced Galvanized Perforated Grate - Class B

Supplied By:



877-903-7246

www.trenchdrainsupply.com

REV. B DATE: 7/12/11 C.N. NO. 121560

DWG. NO. 303231 PRODUCT NO. Z712-HDG

\*REGULARLY FURNISHED UNLESS OTHERWISE SPECIFIED

ZURN INDUSTRIES, LLC ♦ SPECIFICATION DRAINAGE OPERATION ♦ 1801 Pittsburgh Ave. ♦ Erie, PA 16514

Phone: 814/455-0921 ♦ Fax: 814/454-7929 ♦ World Wide Web: www.zurn.com

In Canada: ZURN INDUSTRIES LIMITED ♦ 3544 Nashua Drive ♦ Mississauga, Ontario L4V1L2 ♦ Phone: 905/405-8272 Fax: 905/405-1292